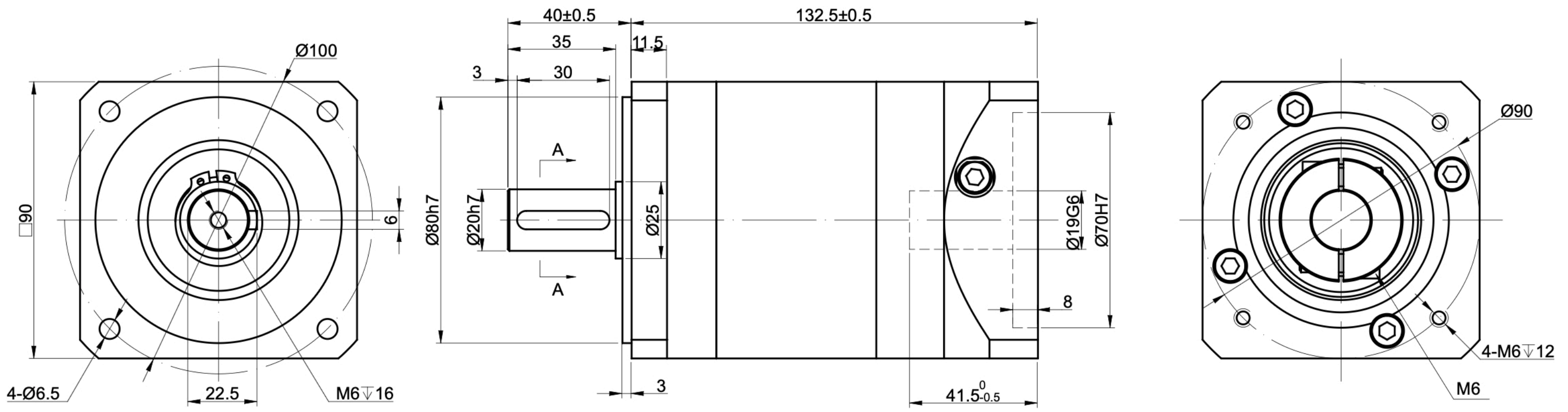
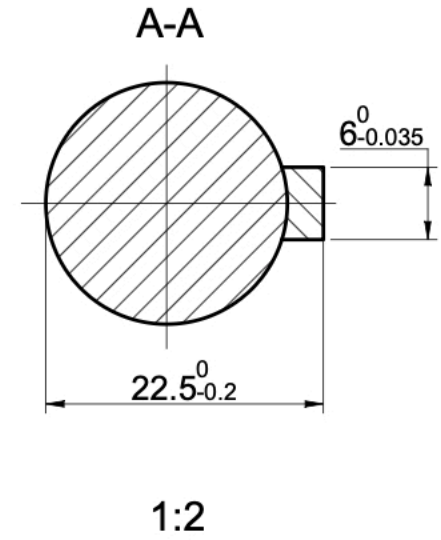


REV.	REVISION RECORD	BY	DATE
0	ORIGIN	MYX	10.30.2025



SPECIFICATION	CONNECTION	VALUE
GEAR RATIO		30
EFFICIENCY		94%
BACKLASH@NO-LOAD(arcmin)		<=15
MAX.PERMISSIBLE TORQUE(Nm)[lb-in]		90.00[796.57]
MOMENT PERMISSIBLE TORQUE(Nm)[lb-in]		180.00[1593.13]
SHAFT MAXIMUM AXIAL LOAD(N)		800
SHAFT MAXIMUM RADIAL LOAD(N)		1000
GEARBOX MATCHING MOTOR'S INPUT SHAFT LENGTH (mm)		24-41
RATED INPUT SPEED(RPM)		3000
MAX. INPUT SPEED(RPM)		6000
NOISE(dB)		<=55
WATERPROOF RATING		IP54
LIFE(h)		20000
WORKING TEMPERATURE		-20°C~150°C[-4°F~302°F]



DIMENSIONS ARE IN MILLIMETERS. TOLERANCES AS BELOW: DECIMALS ANGLES X ±0.5 ±2° X.X ±0.25 X.XX ±0.13	
THIRD ANGLE PROJECTION	
SIGNATURE	DATE
DRN MYX	10.30.2025
APVD LJ	10.30.2025

GEARBOX					
TG90-G30					
REV.	1	SCALE	1:2	DWG NO.	A4758