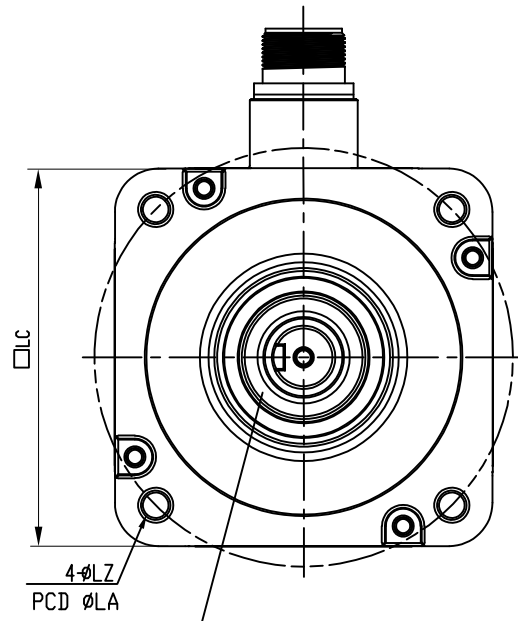
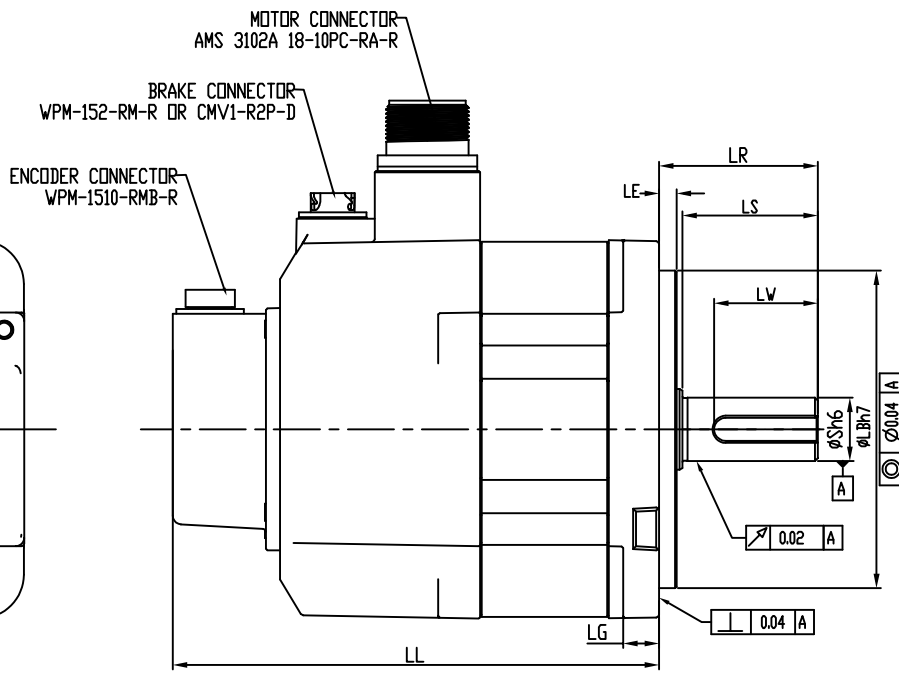
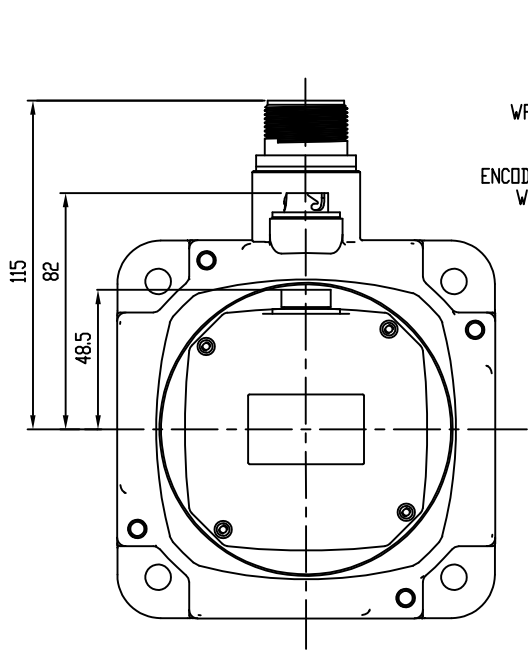
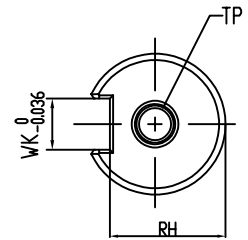


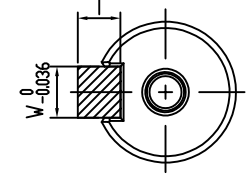
REV. ECN NO.



OIL_SEAL(TC TYPE)
ONLY FOR OIL-SEAL MODEL



SHAFT END DETAILS



KEY DETAILS

MODEL	LC	LZ	LA	S	LB	LL	LS	LR	LE	LG	LW	RH	WK	W	T	TP
ECM-B3M-E□1310SS1	130	9	145	22	110	168.5	47	55	6	12.5	36	18	8	8	7	M6, Depth 12
ECM-B3M-E□1315SS1	130	9	145	22	110	180.5	47	55	6	12.5	36	18	8	8	7	M6, Depth 12
ECM-B3M-E□1320SS1	130	9	145	22	110	192.5	47	55	6	12.5	36	18	8	8	7	M6, Depth 12
ECM-B3M-K□1310SS1	130	9	145	22	110	168.5	47	55	6	12.5	36	18	8	8	7	M6, Depth 12
ECM-B3M-K□1315SS1	130	9	145	22	110	180.5	47	55	6	12.5	36	18	8	8	7	M6, Depth 12
ECM-B3M-K□1320SS1	130	9	145	22	110	192.5	47	55	6	12.5	36	18	8	8	7	M6, Depth 12

DELTA ELECTRONICS, INC. THESE DRAWINGS AND SPECIFICATIONS ARE THE PROPERTY OF DELTA ELECTRONICS, INC. AND SHALL NOT BE REPRODUCED OR USED AS THE BASIS FOR THE MANUFACTURE OR SELL OF APPARATUS OR DEVICES WITHOUT PERMISSION.	DRAWN: _____ APPROVE: _____	DESIGN: _____ DATE: 04/29/2021
	DIMENSIONAL TOLERANCES $\langle \rangle$ $(\)$ $(\)$ ANGLES DECIMALS ≤ 50 ± 0.1 ≤ 50 ± 0.15 ≤ 50 ± 0.2 $\le 30^\circ$ $\pm 0.1^\circ$ X ± 0.3 >50~100 ± 0.15 >50~100 ± 0.2 >50~100 ± 0.25 >30~60 $\pm 0.3^\circ$ XX ± 0.2 >100~200 ± 0.2 >100~200 ± 0.25 >100~200 ± 0.3 >60~90 $\pm 0.3^\circ$ XXX ± 0.1 >200~ ± 0.2 >200~ ± 0.25 >200~ ± 0.3	
DESCRIPTION: ECM-B3M-F130-BRAKE CONFIDENTIAL	A3 THIRD ANGLE PROJECTION	PART NO.: _____ REV. 01
USED ON	UNIT mm	SCALE
		SHEET 1 OF 1